



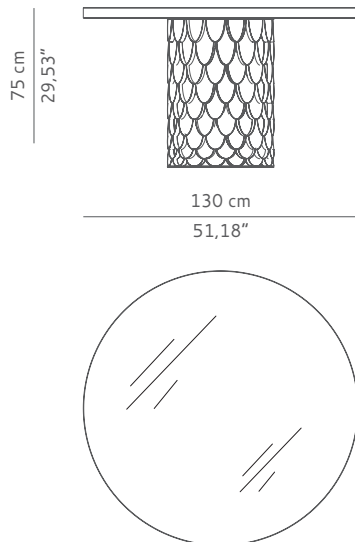
BRABBU
DESIGN FORCES

CASEGOODS UPHOLSTERY LIGHTING RUGS ART ACCESSORIES



KOI | DINING TABLE I

KOI carp is a recurring symbol of Japanese culture, highly appreciated by its decorative purposes, not only in water gardens but also in Irezumi practice or, most commonly, in tattoos. Its natural colour mutations reveal their capacity to adapt, just like the set of KOI tables with table tops in acrylic, glass or marble that you can choose to better fit in your ambiances. The KOI scales from the sides of the tables shine and reflect – on its brass surface – the sun caught throughout the clear water. KOI and the Japanese word for love or affection are homophones, making the carp also a symbol of love and friendship.



DIMENSIONS

WIDTH 130 cm | 51,18"
DEPTH 130 cm | 51,18"
HEIGHT 75 cm | 29,53

MATERIALS

Base: Brushed brass.
Top: Acrylic.

PACKAGING

DIMENSIONS W 137 cm | 53,9" D 137 cm | 53,9" H 82 cm | 32,28"
VOLUME 1,54 m³ | 54,38 ft³
WEIGHT 116 kg | 255,74 lb

LEAD TIME

Production time is between 6 to 8 weeks for BRABBU collections.
Delivery time is not included.

All of our furniture can be made to measure and it is available in different finishes.
Please note that the colours and materials shown are for reference only and small variations may occur.

AN INTENSE WAY OF LIVING

WWW.BRABBU.COM | INFO@BRABBU.COM