



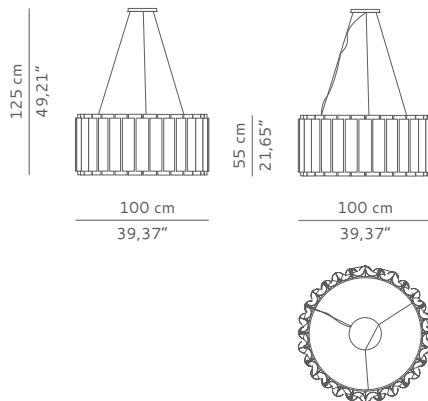
BRABBU  
DESIGN FORCES

CASEGOODS UPHOLSTERY LIGHTING RUGS ART ACCESSORIES



## AURUM | SUSPENSION LIGHT II

AURUM Suspension Light represents safety, the shining dawn that is yet to come, its power and enchantment. A lighting design piece that will bring you comfort in the darkest nights with its warm and sensitive light. It will turn your ambience into an exquisite refuge whether during day or during night. Attribute to nature the main role and let it all flow through the matt hammered brass, fulfilling you and your home with its authenticity.



### DIMENSIONS

WIDTH 100cm | 39,37"  
DEPTH 100cm | 39,37"  
HEIGHT 55 cm | 21,65"

### MATERIALS

Structure: Hammered brass

### TECHNICAL SPECIFICATIONS

BULB HOLDERS 28 x G9 (EU/UK), G9 (USA) bulb  
VOLTAGE 220 V - 240 V  
WATTAGE 28 watts per bulb  
WEIGHT 60 kg | 132,27 lb

### CE certificate

### PACKAGING

DIMENSIONS W 107 cm | 42,13" D 107 cm | 42,13" H 62 cm | 24,41  
VOLUME 0,71 m<sup>3</sup> | 25,07 ft<sup>3</sup>  
WEIGHT 80 kg | 176,37 lb

### LEAD TIME

Production time is between 6 to 8 weeks for BRABBU collections.  
Delivery time is not included.

All of our furniture can be made to measure and it is available in different finishes.  
Please note that the colours and materials shown are for reference only and small variations may occur.

AN INTENSE WAY OF LIVING

WWW.BRABBU.COM | INFO@BRABBU.COM