



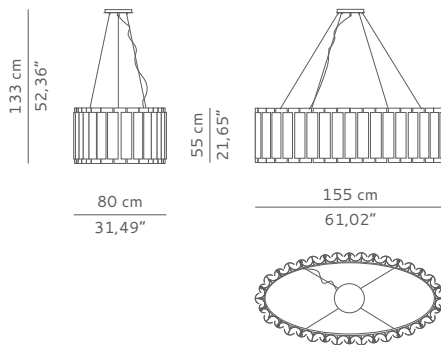
BRABBU
DESIGN FORCES

CASEGOODS UPHOLSTERY LIGHTING RUGS ART ACCESSORIES



AURUM | SUSPENSION LIGHT III

AURUM Suspension Light represents safety, the shining dawn that is yet to come, its power and enchantment. A lighting design piece that will bring you comfort in the darkest nights with its warm and sensitive light. It will turn your ambience into an exquisite refuge whether during day or during night. Attribute to nature the main role and let it all flow through the matt hammered brass, fulfilling you and your home with its authenticity.



DIMENSIONS

WIDTH 155 cm | 61,02"
DEPTH 80 cm | 31,49"
HEIGHT 55 cm | 21,65"

MATERIALS

Structure: Matte hammered brass

TECHNICAL SPECIFICATIONS

BULB HOLDERS 36 x G9 (EU/UK), G9 (USA) bulb
VOLTAGE 220 V - 240 V
WATTAGE 28 watts per bulb
WEIGHT 70 kg | 154,32 lb

CE certificate

PACKAGING

DIMENSIONS W 164 cm | 64,56" D 88 cm | 34,64" H 63 cm | 24,80
VOLUME 0,90 m³ | 31,78 ft³
WEIGHT 100 kg | 220,46 lb

LEAD TIME

Production time is between 6 to 8 weeks for BRABBU collections.
Delivery time is not included.

All of our furniture can be made to measure and it is available in different finishes.
Please note that the colours and materials shown are for reference only and small variations may occur.

AN INTENSE WAY OF LIVING

WWW.BRABBU.COM | INFO@BRABBU.COM