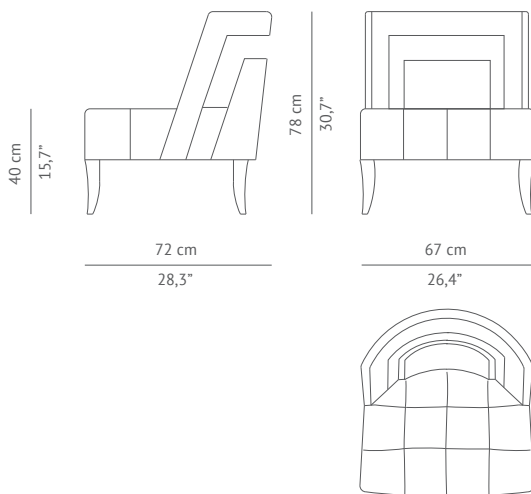




NAJ | ARMCHAIR

Contemporary furniture pieces demand contemporary stories. Guatemala was the stage of one of the most important discoveries in the twentieth century - the Naj Tunich, a cave rich in culture, heritage, history and values. All this richness is brought to urban tribes by NAJ armchair, a strong contemporary furniture piece full of attitude with straight lines that will fit every interior, whether in an hotel project, a living room set or a bedroom. Be conquered by this self-assured contemporary furniture piece fully upholstered in cotton velvet with nickeled nails.



DIMENSIONS

WIDTH	67 cm 26,4"
DEPTH	72 cm 28,3"
HEIGHT	78 cm 30,7"
SEAT HEIGHT	40 cm 15,7"
SEAT DEPTH	52 cm 20,47"

MATERIALS

FABRIC	Cotton velvet
FABRIC REFERENCE	BB MOSS I - Colour 23
FABRIC NEEDED	3,5 mts 138" (Standard width 1,40mts 55")
LEGS	Fully upholstery
NAILS	Nickeled

FABRIC / LEATHER REQUEST

COM	3,5 mts 158" (Standard width 1,40mts 55")
COL	52,33 sq ft

PACKAGING

DIMENSIONS	W 87 cm 34,25" D 80 cm 31,5" H 98 cm 38,6"
VOLUME	0,68m ³ 24,01 ft ³
WEIGHT	32kg 70,55 lbs

LEAD TIME

Production time is between 6 to 8 weeks for BRABBU collections.
Delivery time is not included.

All of our furniture can be made to measure and it is available in different finishes.
Please note that the colours and materials shown are for reference only and small variations may occur.