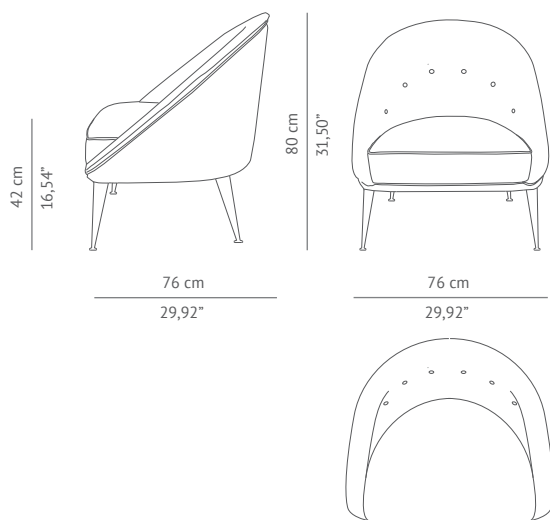




### MALAY | ARMCHAIR

Our designers travelled to the Malay Archipelago, located between the Southeastern of Asia and Australia, in order to project a living room set, capable of whispering the stories of diverse cultures such as Indonesia, the Philippines and Singapore. These ethnicities give life to MALAY - a graceful green velvet armchair with a mystical soul that will fulfill your entire living room set with energy from the nature. Enjoy this comfortable armchair in velvet with legs in aged casted brass, lacing it as center piece in your living room set.



#### DIMENSIONS

WIDTH	76 cm   29,92"
DEPTH	76 cm   29,92"
HEIGHT	80 cm   31,50"
SEAT HEIGHT	42 cm   16,54"
SEAT DEPTH	56 cm   22,05"

#### MATERIALS

FABRIC	Cotton velvet
FABRIC REFERENCE	BB MOSS 1 - Colour 30
FABRIC NEEDED	4,5 mts   178" (Standard width 1,40mts   55")
LEGS	Matte aged brass

#### FABRIC / LEATHER REQUEST

COM	4,5 mts   178" (Standard width 1,40mts   55")
COL	72 sq ft

#### PACKAGING

DIMENSIONS	W 85 cm   33,46" D 85 cm   33,46" H 87 cm   34,25"
VOLUME	0,63m <sup>3</sup>   22,25 ft <sup>3</sup>
WEIGHT	30kg   66,14 lbs

#### LEAD TIME

Production time is between 6 to 8 weeks for BRABBU collections.  
Delivery time is not included.

All of our furniture can be made to measure and it is available in different finishes.  
Please note that the colours and materials shown are for reference only and small variations may occur.