



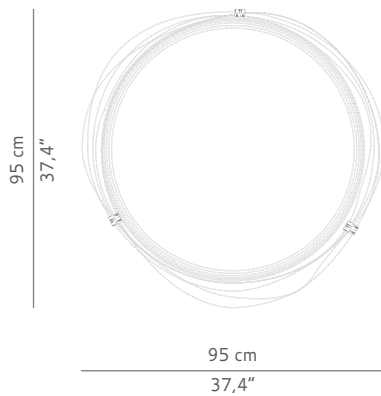
BRABBU
DESIGN FORCES

CASEGOODS UPHOLSTERY LIGHTING RUGS ART ACCESSORIES



KAYAN | MIRROR

BRABBU's endless desire to discover cultures from all around the world led our designers to Myanmar, in Asia, to create the KAYAN mirror, named after a tribe. Kayan women are known for using neck rings, brass coils that are placed around the neck, appearing to lengthen it. Traditionally made in aged brushed brass, KAYAN mirror is the perfect complement for creating an exotic home.



DIMENSIONS

WIDTH 95 cm | 37,4"
DEPTH 4 cm | 2,36"
HEIGHT 95 cm | 37,4"

MATERIALS Aged brushed brass and flat mirror.

PACKAGING

DIMENSIONS W 102 cm | 40,15" D 11 cm | 4,33" H 102 cm | 40,15"
VOLUME 0,11 m³ | 3,88 ft³
WEIGHT 20 kg | 44 lb

LEAD TIME

Production time is between 6 to 8 weeks for BRABBU collections.
Delivery time is not included.

All of our furniture can be made to measure and it is available in different finishes.
Please note that the colours and materials shown are for reference only and small variations may occur.

AN INTENSE WAY OF LIVING

WWW.BRABBU.COM | INFO@BRABBU.COM