



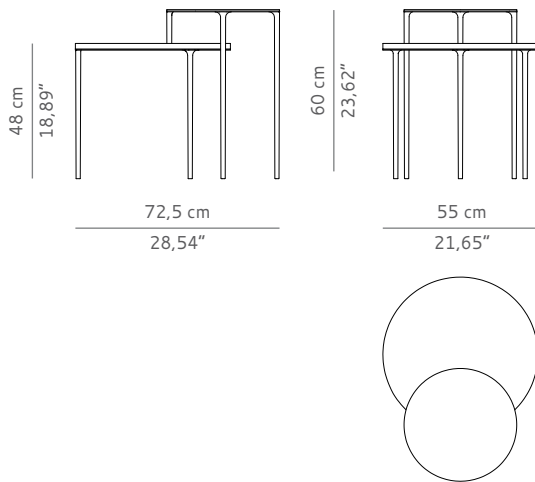
BRABBU
DESIGN FORCES

CASEGOODS UPHOLSTERY LIGHTING RUGS ART ACCESSORIES



LURAY | SIDE TABLE

In Shenandoah Valley, a LURAY brass side table has born. Its irregular but simple shape brings the caverns' stalactites into a modern home decor. The casted brass combined with the bronze glass gives the natural feeling of the caverns environment, where you can find the contrast of the warm colours and the winter touch. The palisander wood veneer in the lower top is what brings the surroundings intensity to this delicate and unique brass side table, a perfect complement to any modern home decor.



DIMENSIONS

WIDTH 72,5 cm | 28,54"
DEPTH 55 cm | 21,65"
HEIGHT 60 cm | 23,62"W

MATERIALS

Structure in aged brass; tabletops in glossy palisander veneer and bronze glass.

PACKAGING

DIMENSIONS W 79,5 cm | 31,3" D 62 cm | 24,41" H 67 cm | 26,38"
VOLUME 0,33 m³ | 11,65 ft³
WEIGHT 45 kg | 99,21 lb

LEAD TIME

Production time is between 6 to 8 weeks for BRABBU collections.

Delivery time is not included.

All of our furniture can be made to measure and it is available in different finishes.

Please note that the colours and materials shown are for reference only and small variations may occur.

AN INTENSE WAY OF LIVING

WWW.BRABBU.COM | INFO@BRABBU.COM