



BRABBU

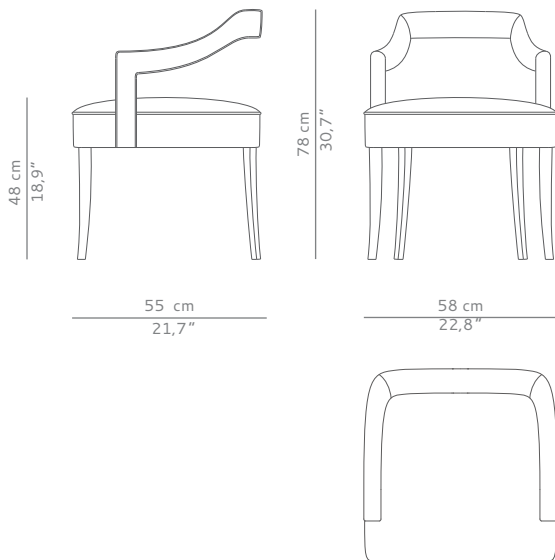
DESIGN FORCES

CASEGOODS UPHOLSTERY LIGHTING RUGS ART ACCESSORIES



OKA | DINING CHAIR

An armchair designed for a modern home decor inspired by the dialogues of the Bakaya pigmy tribe. OKA means "listen", listen to people that are perfectly adapted to their natural environment, and who, despite the extreme remoteness and dangers of their forest home in central Africa, always find opportunities to express their humor, joyfulness and musical genius. OKA dining chair embodies a myth of people that live joyfully with nature and tells a story while letting you feel its comfort and softness of the satin cotton. OKA armchair is perfect for a modern home decor.



DIMENSIONS

WIDTH	58 cm 22,8"
DEPTH	55 cm 21,7"
HEIGHT	78 cm 30,7"
SEAT HEIGHT	48 cm 18,90"
SEAT DEPTH	45 cm 17,71"
ARMREST HEIGHT	63 cm 24,64"

MATERIALS

FABRIC	Cotton velvet
FABRIC REFERENCE	BB MOSS I - Colour 19
FABRIC NEEDED	4,5 mts 178" (Standard width 1,40mts 55")
LEGS	Fully upholstered

FABRIC / LEATHER REQUEST

COM	4,5 mts 178" (Standard width 1,40mts 55")
COL	71 sq ft

PACKAGING

DIMENSIONS	W 68 cm 26,64" D 65 cm 25,32" H 88 cm 34,64"
VOLUME	0,38m ³ 13,41 ft ³
WEIGHT	20kg 44,09 lbs

LEAD TIME

Production time is between 6 to 8 weeks for BRABBU collections.
Delivery time is not included.

All of our furniture can be made to measure and it is available in different finishes.
Please note that the colours and materials shown are for reference only and small variations may occur.

AN INTENSE WAY OF LIVING

WWW.BRABBU.COM | INFO@BRABBU.COM