



# BRABBU

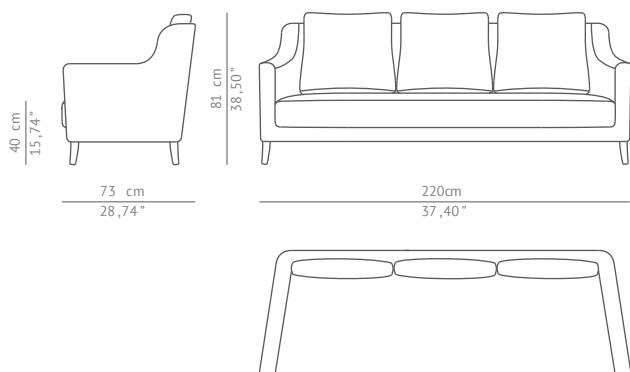
DESIGN FORCES

CASEGOODS UPHOLSTERY LIGHTING RUGS ART ACCESSORIES



## COMO | SOFA

Lake Como, in Italy, is Known for its dramatic scenery. Inspired in tis typical water lilies, COMO sofa, totally made in cotton velvet, is a tribute to natural beauty.



### DIMENSIONS

WIDTH	220 cm   86,64"
DEPTH	73 cm   28,74"
HEIGHT	81 cm   31,88"
SEAT HEIGHT	40 cm   15,74"
SEAT DEPTH	55 cm   21,85"
ARMREST HEIGHT	55 cm   21,85"

### MATERIALS

FABRIC	Cotton velvet
FABRIC REFERENCE	BB MOSS I - Colour 44
FABRIC NEEDED	12 mts   473" (Standard width 1,40mts   55")
LEGS	Fully upholstery

### FABRIC / LEATHER REQUEST

COM	12 mts   473" (Standard width 1,40mts   55")
COL	184,8 sq ft

### PACKAGING

DIMENSIONS	W 227 cm   89,3" D 80 cm   31.50" H 88 cm   34,65"
VOLUME	1,60 m <sup>3</sup>   56,50 ft <sup>3</sup>
WEIGHT	90kg   200 lbs

### LEAD TIME

Production time is between 6 to 8 weeks for BRABBU collections.  
Delivery time is not included.

All of our furniture can be made to measure and it is available in different finishes.  
Please note that the colours and materials shown are for reference only and small variations may occur.