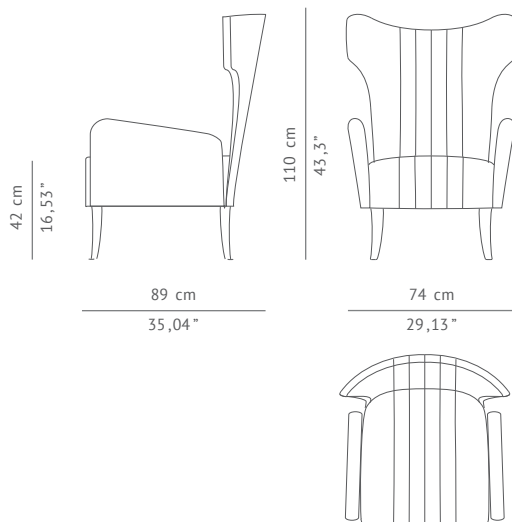




DAVIS | ARMCHAIR

DAVIS armchair was named after the sea along the coast of East Antarctica, representing its colors and its ripple through the forms that convey movement.



DIMENSIONS

WIDTH	74 cm 29,13"
DEPTH	89 cm 35,04"
HEIGHT	110 cm 43,3"
SEAT HEIGHT	42 cm 16,53"
SEAT DEPTH	53 cm 20,87"
ARMREST HEIGHT	58 cm 22,83"

MATERIALS

FABRIC	Cotton velvet
FABRIC REFERENCE	BB MOSS I - Colour 24
FABRIC NEEDED	7 mts 275,6" (Standard width 1,40mts 55")
LEGS	Blue matte lacquered

FABRIC / LEATHER REQUEST

COM	7 mts 275,6" (Standard width 1,40mts 55")
COL	107,8 sq ft

PACKAGING

DIMENSIONS	W 81 cm 31,89" D 96 cm 37,79" H 117 cm 46,06"
VOLUME	0,91m ³ 32,14 ft ³
WEIGHT	33kg 72,75 lbs

LEAD TIME

Production time is between 6 to 8 weeks for BRABBU collections.
Delivery time is not included.

All of our furniture can be made to measure and it is available in different finishes.

Please note that the colours and materials shown are for reference only and small variations may occur.