



# BRABBU

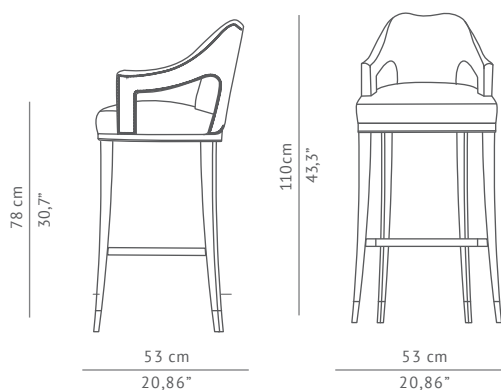
DESIGN FORCES

CASEGOODS UPHOLSTERY LIGHTING RUGS ART ACCESSORIES



## N°20 | BAR CHAIR

Symbol of knowledge and rebirth, N°20 bar chair was raised through a long journey of a total set of 24 prototypes intended to reinterpret the forces of nature. N°20 distinguishes itself for its attitude represented in its fabric, a beautiful and standing out velvet, and its structure that embraces us with strength and determination, like Mother Nature.



### DIMENSIONS

WIDTH	53 cm   20,86"
DEPTH	53 cm   20,86"
HEIGHT	110 cm   43,3"
SEAT HEIGHT	78 cm   30,70"
SEAT DEPTH	46 cm   18,11"
ARMREST HEIGHT	93 cm   36,61"

### MATERIALS

FABRIC	Cotton velvet
FABRIC REFERENCE	BB MOSS I - Colour 16
FABRIC NEEDED	2 mts   78,74" (Standard width 1,40mts   55")
LEGS	Ash with walnut stain matte varnish and aged brass details
NAILS	Bronze renaissance

### FABRIC / LEATHER REQUEST

COM	2 mts   78,74" (Standard width 1,40mts   55")
COL	30,08 sq ft

### PACKAGING

DIMENSIONS	W 60 cm   23,62" D 60 cm   23,62" H 117 cm   46,06"
VOLUME	0,45m <sup>3</sup>   15,89ft <sup>3</sup>
WEIGHT	23kg   50,70 lbs

### LEAD TIME

Production time is between 6 to 8 weeks for BRABBU collections.  
Delivery time is not included.

All of our furniture can be made to measure and it is available in different finishes.  
Please note that the colours and materials shown are for reference only and small variations may occur.