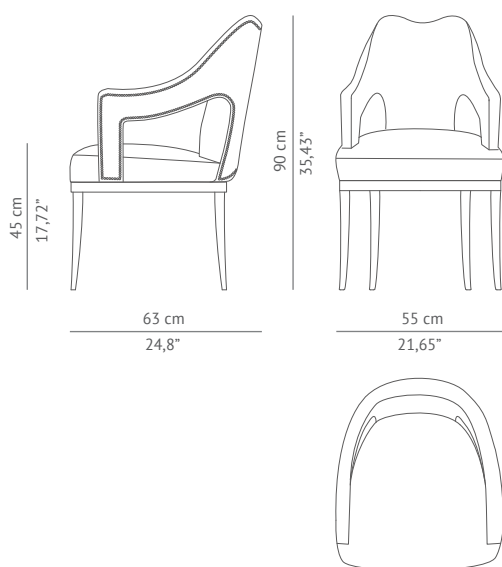




N°20 | DINING CHAIR

Each of BRABBU's living room furniture pieces arises from a fight between inspiration and hard work. Symbol of knowledge and rebirth, N°20 dining chair was raised through a long journey of a total set of 24 prototypes intended to reinterpret the forces of nature in a living room furniture piece. N°20 distinguishes itself for its attitude represented in its fabric, a beautiful and standing out blue twill, and a structure that embraces us with strength and determination, like Mother Nature. N°20 dining chair it's a modern living room piece that will bring elegance to any decoration.



DIMENSIONS

| | |
|----------------|----------------|
| WIDTH | 55 cm 21,65" |
| DEPTH | 63 cm 24,8" |
| HEIGHT | 90 cm 35,43" |
| SEAT HEIGHT | 45 cm 17,72" |
| SEAT DEPTH | 50 cm 19,68" |
| ARMREST HEIGHT | 63 cm 24,8" |

MATERIALS

| | |
|------------------|---|
| FABRIC | Synthetic leather |
| FABRIC REFERENCE | BB LERIDA III - Colour 4 |
| FABRIC NEEDED | 2 mts 78,74" (Standard width 1,40mts 55") |
| LEGS | Fully upholstered |
| NAILS | Aged brass |

FABRIC / LEATHER REQUEST

| | |
|-----|---|
| COM | 2 mts 78,74" (Standard width 1,40mts 55") |
| COL | 30,08 sq ft |

PACKAGING

| | |
|------------|--|
| DIMENSIONS | W 62 cm 24,40" D 70 cm 22,83" H 97 cm 47,27" |
| VOLUME | 0,42m ³ 14,83 ft ³ |
| WEIGHT | 35kg 77,16 lbs |

LEAD TIME

Production time is between 6 to 8 weeks for BRABBU collections.
Delivery time is not included.

All of our furniture can be made to measure and it is available in different finishes.
Please note that the colours and materials shown are for reference only and small variations may occur.