



BRABBU

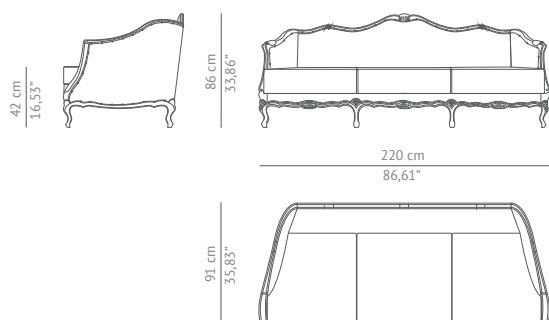
DESIGN FORCES

CASEGOODS UPHOLSTERY LIGHTING RUGS ART ACCESSORIES



OTTAWA | SOFA

Known as traders, the Ottawa are a Native American tribe living originally on Manitoulin Island, near the northern shores of Lake Huron; on the Bruce Peninsula in the present day province of Ontario, Canada; and in the state of Michigan, United States. Besides farming, hunting and practicing music, story-telling, artwork and traditional medicine, the Ottawa had to go war to protect their people. And all these stories are what OTTAWA 3 seater sofa depicts a sense of contrast by combining curves, elegant shapes and carved wood details with a dark colour from the black synthetic leather and the matte black lacquered frame. The frame is bordered with nickel polished nails, distributed along the seat, arms and black in wide, regular intervals. OTTAWA 3 seater sofa is available in other colours and fabrics and can be upholstered in COM and COL. A customizable classic synthetic leather sofa ideal for a mid century modern home decor.



DIMENSIONS

WIDTH	220 cm 86,61"
DEPTH	91 cm 35,83"
HEIGHT	86 cm 33,86"
SEAT HEIGHT	42 cm 16,53"
SEAT DEPTH	67 cm 26,38"
ARMREST HEIGHT	62 cm 24,41"

MATERIALS

FABRIC	Synthetic leather
FABRIC REFERENCE	BB LERIDA I - Colour 10
FABRIC NEEDED	14,5 mts 570,86" (Standard width 1,40mts 55")
LEGS	Matte black lacquer
NAILS	Bronze renaissance

FABRIC / LEATHER REQUEST

COM	14,5 mts 570,86" (Standard width 1,40mts 55")
COL	223,3 sq ft

PACKAGING

DIMENSIONS	W 227 cm 89,37" D 98 cm 38,58" H 93 cm 36,61"
VOLUME	2,07 m ³ 81,60 ft ³
WEIGHT	140kg 308 lbs

LEAD TIME

Production time is between 6 to 8 weeks for BRABBU collections.
Delivery time is not included.

All of our furniture can be made to measure and it is available in different finishes.
Please note that the colours and materials shown are for reference only and small variations may occur.