



# BRABBU

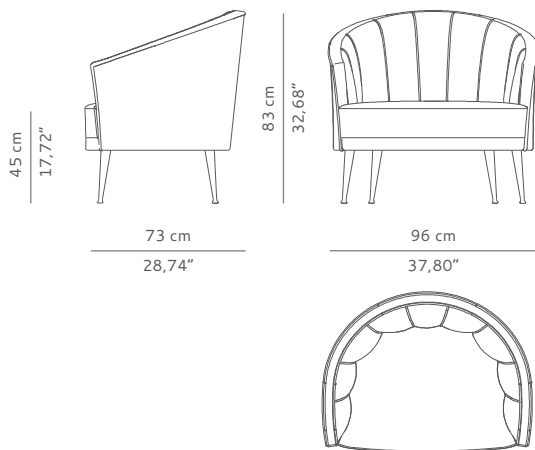
DESIGN FORCES

CASEGOODS UPHOLSTERY LIGHTING RUGS ART ACCESSORIES



## MAYA | ARMCHAIR

In heaven like in earth, male or female shouldn't be solitary and that is why MAYA armchair was born – to be the perfect place in a living room set where two unique beings could meet and live in perfect harmony involved by the sweetness of this velvet armchair. MAYA armchair's green/lime color was taken from one of the primary elements of Mayans culture, the maize. Represented as a tree of life in Palenque, Maya's Maize God was also personified as woman. MAYA armchair has the sensual and delicate forms of the feminine being and the strength of a tree of life; this combination makes it the perfect center piece for every living room set.



### DIMENSIONS

WIDTH	96 cm   37,80"
DEPTH	73 cm   28,74"
HEIGHT	83 cm   32,68"
SEAT HEIGHT	45 cm   17,72"
SEAT DEPTH	56 cm   22,05"
ARMREST HEIGHT	63 cm   24,80"

### MATERIALS

FABRIC	Cotton velvet
FABRIC REFERENCE	BB MOSS I- Colour 28
FABRIC NEEDED	4,50 mts   178" (Standard width 1,40mts   55")
LEGS	Aged brass

### FABRIC / LEATHER REQUEST

COM	4,50 mts   178" (Standard width 1,40mts   55")
COL	72 sq ft

### PACKAGING

DIMENSIONS	W 94 cm   37" D 94 cm   37" H 128 cm   50,39"
VOLUME	1,13 m <sup>3</sup>   39,90 ft <sup>3</sup>
WEIGHT	42 kg   92,59 lb

### LEAD TIME

Production time is between 6 to 8 weeks for BRABBU collections.  
Delivery time is not included.

All of our furniture can be made to measure and it is available in different finishes.  
Please note that the colours and materials shown are for reference only and small variations may occur.

AN INTENSE WAY OF LIVING

WWW.BRABBU.COM | INFO@BRABBU.COM